

DX³ Manual Supply Invertor

Cat. Nos: 4 063 14/15/16



CONTENTS	PAGE
1. Description - Use	1
2. Range	1
3. Overall dimensions	1
4. Preparation - Connection	1
5. General Characteristics.....	3
6. Compliance and approvals.....	3

1. DESCRIPTION - USE:

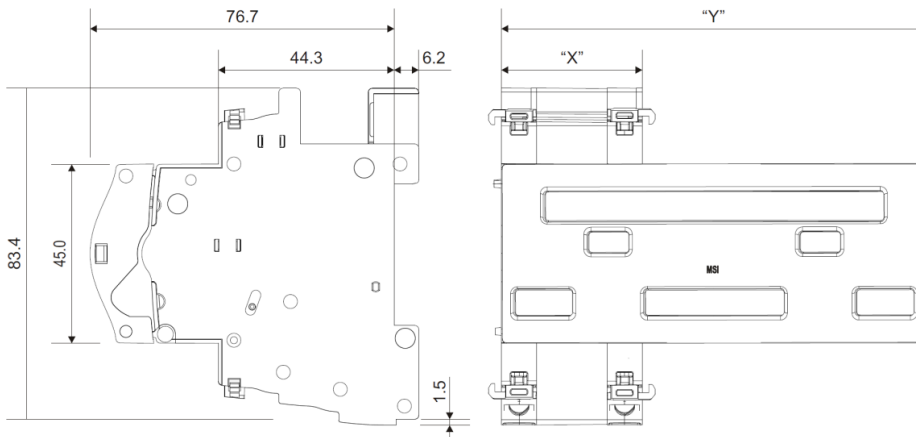
For a pre-defined circuit the Manual Supply Invertor (MSI), allows the end user to manually switch to another power source (ex. a generator) when the mains supply is not available

2. RANGE

Cat. Nos:

- . 4 063 14 : for devices 2 poles/2 modules.
- . 4 063 15 : for devices 3 poles/3 modules.
- . 4 063 16 : for devices 4 poles/4 modules.

3. OVERALL DIMENSIONS:



Cat. Nos	"X" (mm)	"Y" (mm)
4 063 14	17.8 mm	53.1 mm
4 063 15	35.6 mm	89.0 mm
4 063 16		106.8 mm

4. PREPARATION –CONNECTION

Fixing:

- . On symmetric rail EN/IEC 60715 or DIN 35 rail, by the device which is associated.

Operating positions:

- . Vertical, horizontal, upside down, on the side



4. PREPARATION –CONNECTION (continued)

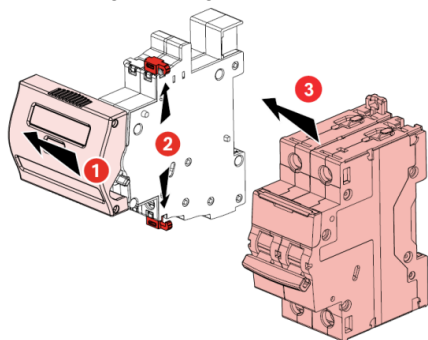
Supply:

. No power supply.

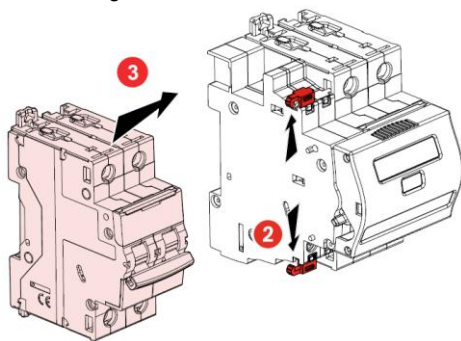
Assembling:

- . Between two modular protection devices (see the association table for the type of products to associate)
- . Clipped on the associated device by mean of plastic clamps present on each side of MSI.

. Assembling on the right side



. Assembling on the left side

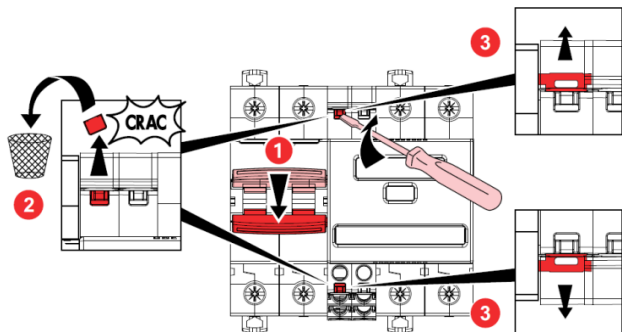


Tools required:

- . Fixing the MSI and protection devices: no tools.
- . Fixing on the DIN rail: no tools.
- . To remove the security seals: flat screwdriver 5,5 mm (6 mm maximum).

Lockout:

. The MSI is equipped with security seals that ensure the association between MSI and the associated device.

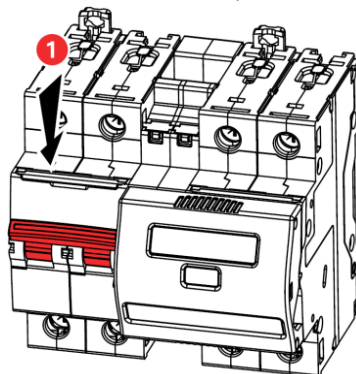


. By padlock on the associated device (cat. nos 4 063 13 or 227 97), and padlock support (cat. no 4 063 03) on the device (MCB or IS) powered-on.

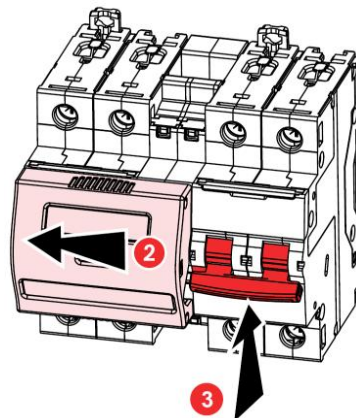
4. PREPARATION –CONNECTION (continued)

Operation:

- . To perform the source inversion:
- 1. Lower the handle of the protection device powered-on.


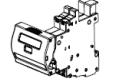
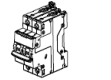
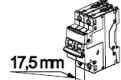
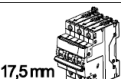
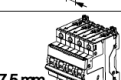


- 2. Slide the frontal slider on the device with the handle lowered.



- 3. Lift the handle of the other circuit breaker to restore the supply.


Association table

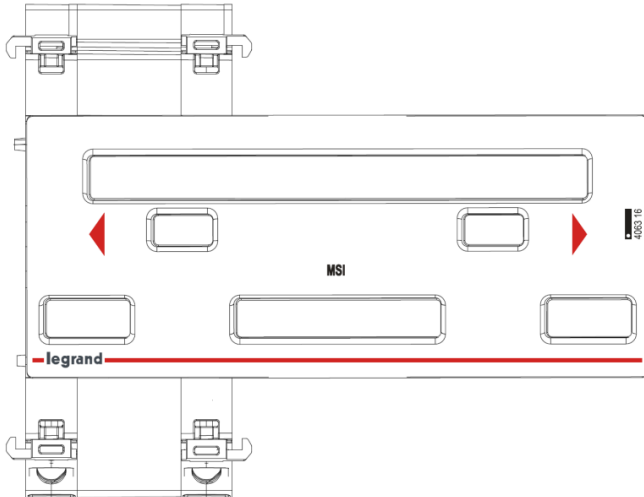
			
 17,5mm	$\begin{matrix} 1 & 3 & 5 \\ 2 & 4 & 6 \\ 1 & 3 \\ 2 & 4 \end{matrix}$	4 063 14	$\begin{matrix} 1 & 3 & 5 \\ 2 & 4 & 6 \\ 1 & 3 \\ 2 & 4 \end{matrix}$
 17,5mm	$\begin{matrix} 1 & 3 & 5 & 7 \\ 2 & 4 & 6 & 8 \\ 1 & 3 & 5 \\ 2 & 4 & 6 \end{matrix}$	4 063 15	$\begin{matrix} 1 & 3 & 5 & 7 \\ 2 & 4 & 6 & 8 \\ 1 & 3 & 5 \\ 2 & 4 & 6 \end{matrix}$
 17,5mm	$\begin{matrix} 1 & 3 & 5 & 7 \\ 2 & 4 & 6 & 8 \\ 1 & 3 & 5 & 7 \\ 2 & 4 & 6 & 8 \\ 1 & 3 & 5 & 7 \\ 2 & 4 & 6 & 8 \end{matrix}$	4 063 16	$\begin{matrix} 1 & 3 & 5 & 7 \\ 2 & 4 & 6 & 8 \\ 1 & 3 & 5 & 7 \\ 2 & 4 & 6 & 8 \\ 1 & 3 & 5 & 7 \\ 2 & 4 & 6 & 8 \end{matrix}$

. To the left and right of the Manual Supply Invertor must be installed the same type of devices (IS-IS or MCB-MCB).

5. GENERAL CHARACTERISTICS

Front face marking:

- . By permanent ink pad printing:
 - Device name: MSI
 - Directional arrows
 - Legrand reference code and Logo 
 - Mark: Legrand.



Plastic materials:

- . 10% Glass fiber reinforced polycarbonate
- . Characteristics of this material: self extinguishing, heat and fire resistant according to EN 60898-1, glow-wire test at 960°C.

Average weight per device:

Cat.Nos	Weight (kg)
4 063 14	0,057
4 063 15	0,089
4 063 16	0,094

Volume when packed:

Cat.Nos	Volume (m ³)
4 063 14	0,49
4 063 15	1.25
4 063 16	

Ambient temperature:

- . operating= - 25 °C Max. = + 60 °C.
- . storage= - 25 °C Max. = + 60 °C.

5. GENERAL CHARACTERISTICS (continued)

Class protection:

- . Protection index of the box against solid and liquid bodies: IP40 (in accordance with standards IEC 529, EN 60529 and NF C 20-010).

Sinusoidal vibration resistance in accordance with IEC 60068-2-6:

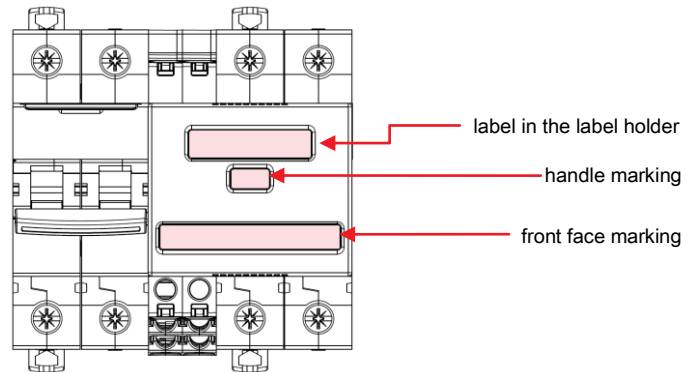
- . Axes : x, y, z.
- . Frequency: 5÷100 Hz ; duration 90 minutes
- . Displacement (5÷13,2 Hz) : 1mm
- . Acceleration (13,2÷100 Hz) : 0,7g (g=9,81 m/s²)

Power dissipated (W) :

- . 0 W.

Identification:

- . MSI is equipped with several windows, so all information of the associated device remain visible



6. COMPLIANCE AND APPROVALS

In accordance with:

- . CEE guidelines : 73/23/CEE + 93/68/CEE
- . Legrand devices can be used under the conditions of use as defined by IEC /EN 60947-1
- . The performance of circuit breakers can be influenced by particular climates: hot dry, cold dry, hot humid, salt fog atmosphere

Plastic materials :

- . Halogens-free plastic materials.
- . Marking of parts according to ISO 11469 and ISO 1043.

Packaging:

- . Design and manufacture of packaging in accordance with decree 98-638 of 07.20.98 and Directive 94/62/EC